



IWESMD160 Range

2024



7.6kW - 15.2kW



Application and Standards

IWESMD160 range product is the DC generator and designed to be applicable for telecom and lighting tower(LED) Comply with standards of IEC60034,NEMA MG1-32,IS08528,CSA C22.2-100, VDE 0530, GB755

Electrical Features

- H class insulation
- Output of DC voltage is 48V/24V, and can be upto 56V/28V
- DC voltage ripple <1%
- Is able to provide three different speed signal to engine.

Mechanical Features

- Be protected to IP23, and IP44 is optional
- Both single bearing and double bearing configurations are available
- Sealed for life bearings
- Blackening coupling disc
- The rotors are dynamically balanced according to ISO 1940. A half-key balanced for double bearings.



Common Data

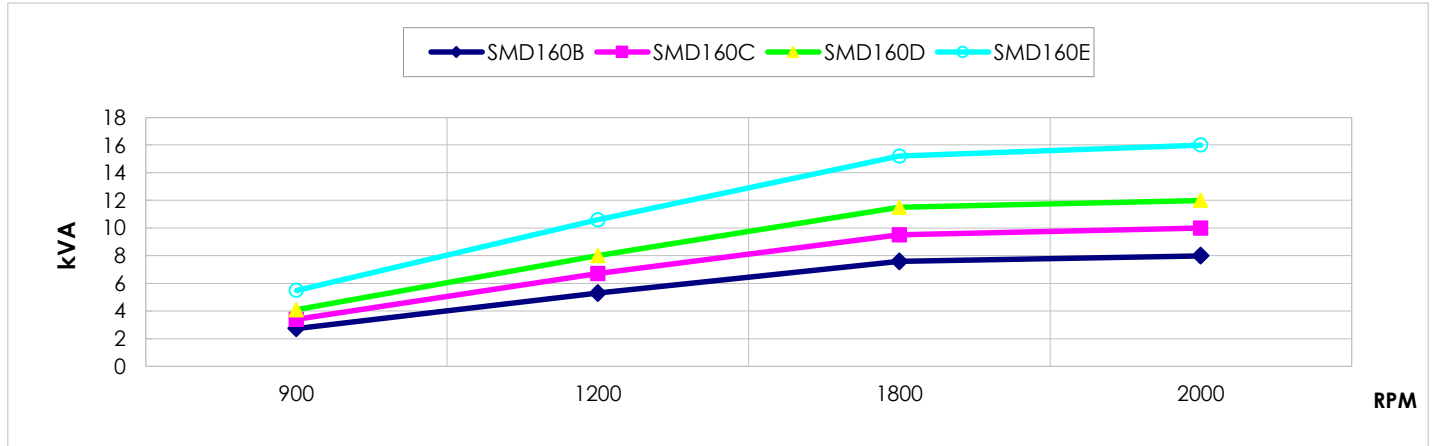
Insulation	H	Overspeed	2500rpm	DC Voltage Ripple	<1%
Altitude	<=1000m	Leads	2	AVR	VR309
Protection	IP23			Output Voltage	48V DC/ 24V DC

Rating

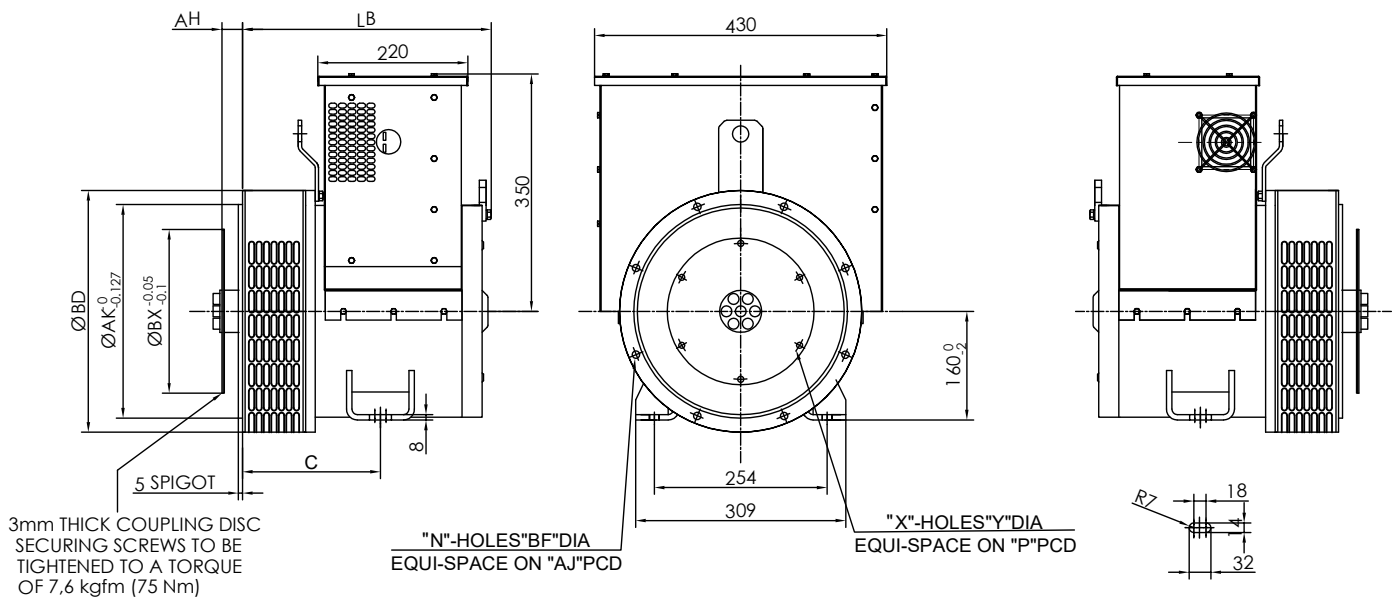
DC Voltage		24V/48V DC				Efficiency
Rotating Speed		1200	1500	1800	2000	
SMD160B	kVA	5.3	6.4	7.6	8.0	76.2%
	kW	5.0	6.1	7.2	7.6	
SMD160C	kVA	6.7	8.0	9.5	10.0	78.4%
	kW	6.4	7.6	9.0	9.5	
SMD160D	kVA	8.0	9.6	11.5	12.0	79.1%
	kW	7.6	9.1	10.9	11.4	
SMD160E	kVA	10.6	12.8	15.2	16.0	80.2%
	kW	10.1	12.2	14.4	15.2	

Rotating Speed vs. Power

SMD160 B/C/D/E



Outline Drawing



Dimension (mm)	SAE 3	SAE 4/5	Net W.	Gross W.	Packing
Model	LB	LB	kg	kg	L x W x H (mm)
SMD 160B	377	365	88	100	740×650×700
SMD 160C	377	365	98	110	740×650×700
SMD 160D	404	392	106	118	740×650×700
SMD 160E	404	392	111	123	740×650×700

SAE#	Flange (mm)							Disc (mm)					
	BD	AK	AJ	U °	BF	N	C		BX	P	X	Y	AH
SAE 5	356	314.32	333.38	22.5	11	8	203	11.5	352.42	333.38	8	11	39.6
SAE 4	408	361.95	381	15	11	12	203	10	314.32	295.28	8	11	53.8
SAE 3	460	409.58	428.62	15	11	12	215	8	263.52	244.48	6	11	62
								7.5	241.3	222.25	8	9	30.2
								6.5	215.9	200.02	6	9	30.2