



# Commercial generator set Quiet Diesel™ Series 13.5 QD Model HDKBP



Cummins Onan Digital Display



## Features and benefits

- Computer controlled constant speed operation
- Unique sound controlled housing and sound shields minimize noise and deliver better sound quality
- Four-point semi focalized internal mounting system greatly reduces vibration
- Self-diagnostic capabilities simplify troubleshooting
- Generator operates with remote cooling package
- Optional Cummins Onan digital display provides user-friendly diagnostics including extensive engine and alternator information, self-diagnostic features and text display
- Service and maintenance points accessible through easy latch side service door
- Control panel mounted switches
- Automatic glow plug eliminates preheat time uncertainty
- Products supported by worldwide certified distributor/dealer support network

## Models and ratings

Model	kW	Voltage	Amps	Phase	Hz	Engine RPM
13.5HDKBP	13.5	110/220	122.7/61.4	1	50	1500
		115/230	117.4/58.7	1	50	1500
		120/240	112.5/56.3	1	50	1500
		220	61.4	1	50	1500
		230	58.7	1	50	1500
		110/220	44.3	3	50	1500
		115/230	42.4	3	50	1500
		120/240	40.6	3	50	1500
		220/380	25.6	3	50	1500
		230/400	24.4	3	50	1500
240/416	23.4	3	50	1500		

- Ratings apply up to 500 ft (153 m) altitude, 85 °F (29 °C) ambient\* with No. 2 diesel fuel.
- Maximum power capability decreases 3.5% for each 1000 ft (305 m) above 500 ft (153 m) and 1% for each 10 °F (5.5 °C) increase in ambient temperature above 85 °F (29 °C).
- Ratings are at intermittent power output. Continuous output is 85% of intermittent power.
- Cooling package and application hardware kit must be ordered along with generator. Please refer to the accessory section for part numbers.
- \* Ambient is defined as the air temperature measured at the cooling air inlet to the set.

## Sound level, weight and size

Generator sound level	Weight (dry)	Length	Dimensions	
			Width	Height
63 dB(A)*	404 kg (890 lb)	1127 mm (44.4 in)	602 mm (23.7 in)	698 mm (27.5 in)

\* Full load at 3m

## Cooling package

Model number	Weight	Length	Dimensions	
			Width	Height
A040S614	38 kg (84 lb)	595 mm (23.4 in)	410 mm (16.1 in)	682 mm (26.9 in)

## Standard features

- Advanced digital electronic control providing extensive diagnostic capability
- Shutdown with diagnostic indicator light for: high engine coolant temperature, low oil pressure, over speed/voltage, starter overcrank, additional customer input and many more
- Start-run-stop switch with glow plug preheat and fuel pump priming modes for easy starting; run light and diagnostic indicator light
- Start function has automatic glow plug preheat providing better, cleaner starting
- Engine starter with automatic start disconnect
- Electronic governor allows the generator set to maintain isochronous frequency control and close voltage regulation to provide quality power for digital appliances and computers
- Single phase AC alternator with single or dual voltages, brushless
- Digital voltage regulator integral with control
- 12 V DC electric system with battery charging, negative ground
- Electric fuel transfer pump for priming and lift capability
- DC control console mounted with isolation and DC protective circuit breakers
- Cooling system with remote heat exchanger and expansion tank to easily maintain coolant level
- Water cooled exhaust manifold
- AC mainline circuit breaker
- Running time meter
- Remote air filter with air intake silencer
- Captive focalized mounting systems with vibration isolators
- Full flow lube oil filter
- Oil drain and hose extension
- Electric fuel shut-off via electronic governing actuator
- Fuel filter/water separator
- Drip pan base capable of containing all generator set fluids
- Bulk head type connections for ease of installation include fuel in, fuel out, battery, and generator set ground (vehicle bond) and engine air inlet
- Single point lifting bracket for ease of installation
- Plug-in watertight connector for optional remote control
- Closed crankcase breather re-circulation to eliminate engine room contamination
- Fire extinguisher access port
- Factory load tested

## Engine details

**Design:** 4-cycle, IDI water-cooled diesel

**Cylinders:** 4

**Bore:** 83 mm (3.27 in)

**Stroke:** 92.4 mm (3.64 in)

**Displacement:** 1999 cm<sup>3</sup> (122 in<sup>3</sup>)

**Compression ratio:** 22.8:1

**Max fuel lift:** 1.22 m (4 ft)

**Lube oil capacity:** 7.6 L (8 qt)

**Coolant capacity:** 7.6 L (8 qt)

**Coolant flow rate:** 45.8 L/min (12.1 Gal/min)

**Starting system:** Remote 3-wire, 12 V starting battery required, 70 Ah, 650 CCA; at -15° C (5° F) minimum, 24 V optional

**Power (max):** SAEJ1995  
50Hz at 1500 RPM 19.9 kW (26.7 hp)

**Fuel injection pump:** Bosch PFR-M mini

**Combustion chamber:** Spherical, three vortex combustion system

## Typical fuel consumption

No. 2 diesel fuel, L/hr (Gal/hr)	No load	1/4 Load	1/2 load	3/4 Load	Full load
<b>13.5 HDKBP 50 Hz</b>	1.1 (0.3)	1.9 (0.5)	2.7 (0.7)	3.6 (0.9)	4.8 (1.3)

## Alternator details

**Design:** Cummins Onan brushless, revolving field, 4-pole alternator; rigidly coupled to engine and permanently aligned

**Voltage regulator:** Solid state, circuit board encapsulated for corrosion protection

**Exciter system:** Brushless with 8-pole stator mounted in endbell; rotating rectifier assemblies are encapsulated for protection from adverse environments

**Stator:** Skewed stator and 2/3 pitch windings minimize field heating and voltage harmonics; resin-coated for corrosion protection

**Rotor:** Dynamically balanced assembly; direct-coupled to engine by flexible drive discs; supported by pre-lubricated, maintenance-free ball bearing

**Cooling:** Direct drive centrifugal blower

**Insulation system:** Class H per NEMA MG1-1.65 and BS 5000

## Generator set performance

**Operating environment:** Generator sets are durability tested at maximum ambient air temperature: 50° C (122° F)

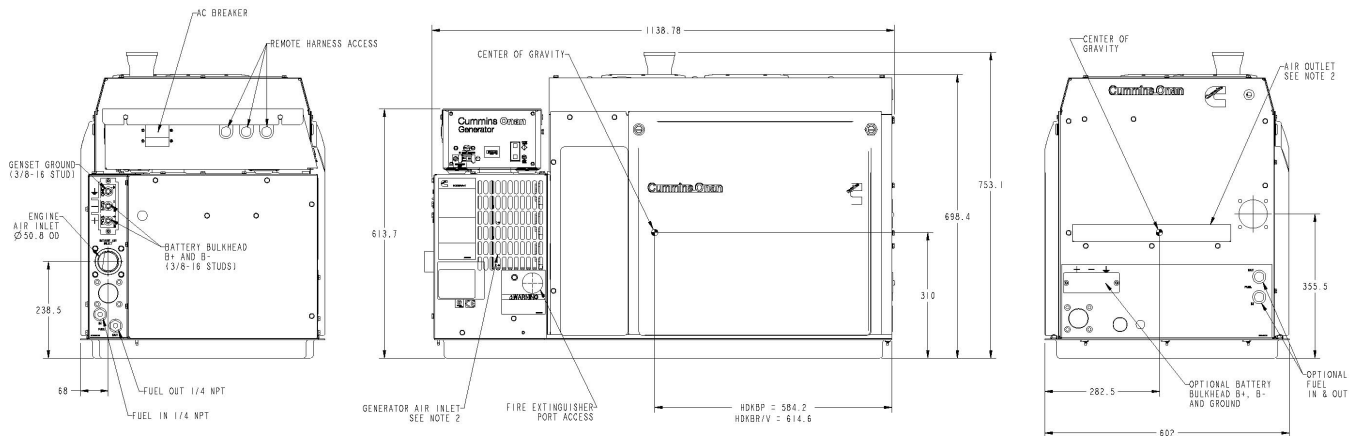
**Frequency regulation:** Isochronous

**Random frequency variation:** Will not exceed +/-0.5% of its mean value for constant loads from no load to full load

**Voltage regulation:** No load to rated load +/-1%

**Random voltage variation:** Will not exceed +/-0.5% of its mean value for constant loads from no load to full load

## Basic dimensions



**Note:** This outline drawing is provided for general reference only and is not intended for design or installation. For more information see Operation and Installation manuals or obtain drawing A040F777 and wiring diagram from your distributor/dealer.

## Options and accessories

- Cummins Onan Digital Display - graphical LCD set-mounted display for generator set operating parameters, diagnostics, and pre-alarm indication in text format
- SAE J-1939 CAN data link for monitoring generator set status and diagnostics for engine and alternator
- 3 phase, 125° C broad range alternator with a variety of voltages
- 24 V DC electric system with battery charging, negative ground
- Basic remote panel with start/stop switch with run (green) and control status (amber) lamps
- Remote start/stop switch with dual lamps and mating harness for panel installation
- Cooling package: A040S616
- Y adapter harness for dual remote stations
- Coolant recovery tank kit
- Remote station harness pigtail
- Remote panel wire harness - 15 ft, 25 ft, 45 ft, 75 ft, 100 ft or 150 ft
- Line circuit breakers for field conversion of AC voltage output
- Remote fuel filter/water separator assembly
- Fuel supply and return hose barb connectors
- Dry exhaust muffler, flexible exhaust stainless steel tube assembly
- Bulk head battery terminal boots
- Application hardware kits: A041G001- 12V, A041G006 - 24V
- Remote mounted Cummins Onan Digital Display - graphical LCD display for generator set operating parameters, diagnostics, and pre-alarm indication in text format (available as an accessory item)

## Standards and testing

- Tested at extremes of temperature 5 °F (-15 °C) to 120 °F (49 °C) for starting and operation
- Tested with commercial loads
- Field test program
- Advanced sound lab tested for optimum sound quality and sound levels
- CE certified



## Warranty policy

The Cummins Onan limited warranty covers virtually everything except routine maintenance for the first two years you own your generator set, or the first 2,000 hours of operation, whichever comes first. In addition, it includes a free 90-day adjustment policy, which provides that Cummins Inc. will make minor adjustments to your new generator set during the first three months you own it - free of charge!



### WARNING:

Back feed to a utility system can cause electrocution and/or property damage. Do not connect to any building electrical except through an approved device or after building main breaker is open.

## After sale support

### Largest distributor/dealer support network

Cummins Onan generator sets are supported by the largest and best trained worldwide certified distributor/dealer network in the industry. This network of knowledgeable Cummins Onan distributor/dealers will help you select and install the right generator set and accessories to meet the requirements of your specific application. This same network offers a complete selection of commonly used generator set maintenance parts, accessories and products plus manuals and specification sheets. Plus, they can answer your questions regarding proper operation, maintenance schedules and more.

**Manuals:** Operation and installation manuals ship with the generator set. To obtain additional copies or other manuals for this model, see your Cummins Onan distributor/dealer and request the following manual numbers: Operation (A041K811), Installation (A041K812), Parts (A041T393), Service (A041K813).

To easily locate the nearest Cummins Onan distributor/dealer in your area, or for more information, contact us at 1-800-888-6626 (or 763-574-5000), or visit [www.cumminsonan.com](http://www.cumminsonan.com).

## Contact your distributor/dealer for more information.

# Cummins Onan

### Cummins Power Generation

1400 73rd Ave. NE  
Minneapolis, MN 55432 USA  
Phone 1 763 574 5000  
Toll-free 1 800 888 6626  
Fax 1 763 574 5298  
Email [www.cumminsonan.com/contact](http://www.cumminsonan.com/contact)

### Performance you rely on.™

©2012 Cummins Power Generation Inc. All rights reserved.

Cummins®, Onan®, the "C" logo, Performance you rely on.™ and Quiet Diesel™ are servicemarks, trademarks and/or registered trademarks of Cummins Inc. Other company, product, or service names may be trademarks or service marks of others.

Specifications are subject to change without notice.

A-1580b (11/12)



[cumminsonan.com](http://cumminsonan.com)