



COMPANY
WITH QUALITY SYSTEM
CERTIFIED BY DNV
ISO 9001

ES16F

MECCALTE spa - Via Roma, 20 - 36051 CREAZZO (VI) ITALIA
Tel. 0444/396111 - Fax 0444/396166 - e-mail : mecc-alte-spa@meccalte.it
web site: www.meccalte.com

2 POLE
1 PHASE
IP23

BRUSH + AVR

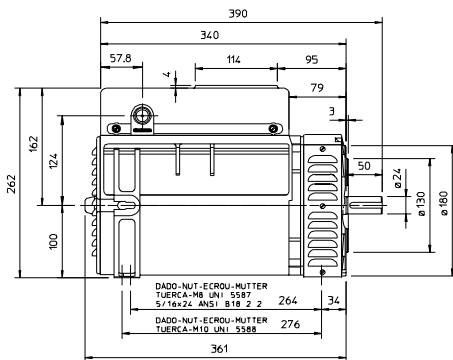
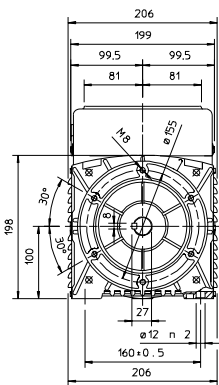
CHARACTERISTICS

Type	115/230V 50Hz 3000 RPM						120/240V 60Hz 3600 RPM						Weight	J	T.H.D.
	kVA	η 4/4 1 p.f.	Stand by ($\Delta T=163^{\circ}C$) T.amb. 27°C	Air volume	Noise		kVA	η 4/4 1 p.f.	Stand by ($\Delta T=163^{\circ}C$) T.amb. 27°C	Air volume	Noise				
					7m dB(A)	1m dB(A)					7m dB(A)	1m dB(A)			
cl. H	%	kVA	m ³ /min	7m dB(A)	1m dB(A)	cl. H	%	kVA	m ³ /min	7m dB(A)	1m dB(A)	Kg	Kgm ²	%	
ES16F-130/A	4,5	79,4	5	3,4	60	78	5,5	80	6	4,3	62	80	25,8	0,0129	< 6
ES16F-160/A	5,5	79,8	6	3,4	60	78	6,8	80,5	7,5	4,3	62	80	29,8	0,0156	< 6

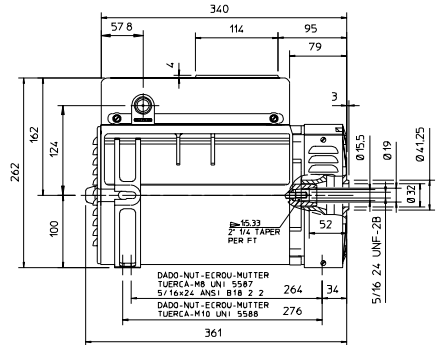
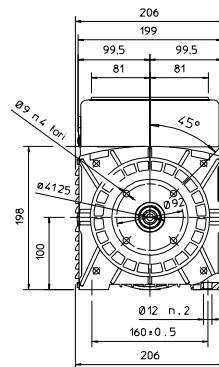
OVERALL DIMENSIONS

dimensions in mm.

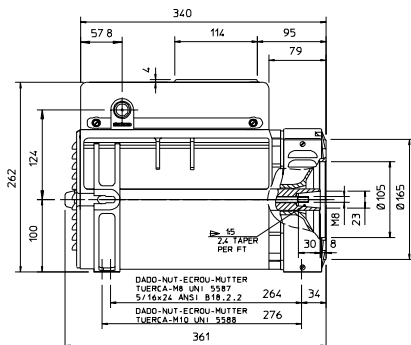
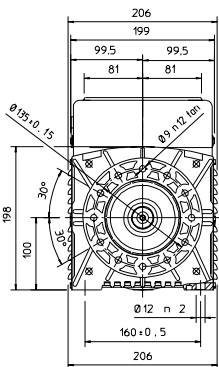
FORM B14



FORM J609a



FORM B9/c23



FORM J609b

