

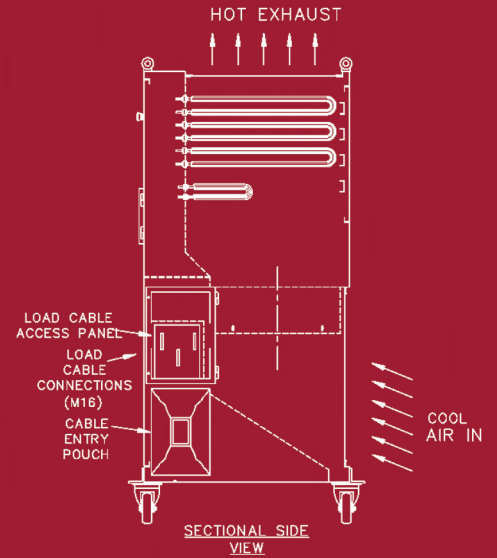
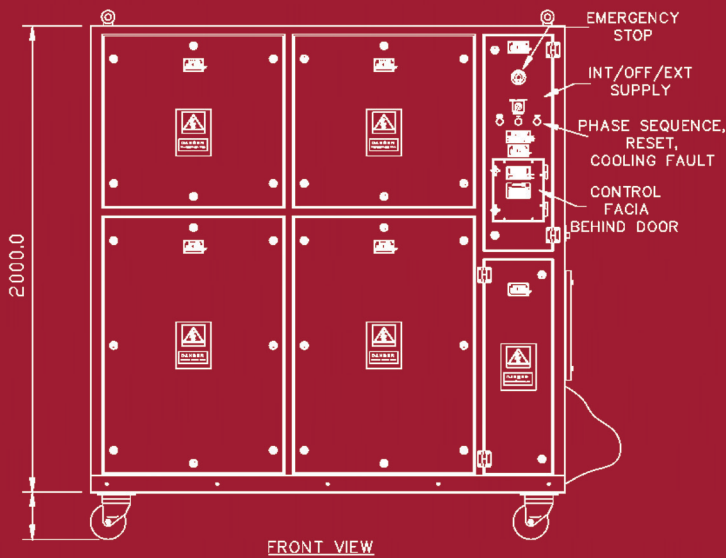
# Crestchic 900kW Loadbank



| Description                                 |    | Transportable  | Fixed    |                    |         |
|---|----|--|----------|--------------------|---------|
| Model                                       |    |  |          |                    |         |
| Country of Origin                           |    | United Kingdom   |          |                    |         |
| Max Capacity - Packaged Loadbank            |    | 900kW  |          |                    |         |
| Voltage Max - Continuous Operation          |    | 380V - 415V  |          |                    |         |
| Operating Frequency Range                   |    | 50Hz   |          |                    |         |
| Phases                                      |    | 3ph  |          |                    |         |
| Wires (Star Connection)                     |    | 4  |          |                    |         |
| Load-Step Resolution @ Design Voltage       |    | 1kW  |          |                    |         |
| Voltage Tolerance (Short Term Operation)    |    | +5%  |          |                    |         |
| Load Element Tolerance                      |    | +/-5%  |          |                    |         |
| Elements                                    |    | 80/20 nickel chrome resistance wire  |          |                    |         |
| Insulation Test                             |    | 500V   |          |                    |         |
| Auxiliary Supply Voltage                    |    | 380V - 415V  |          |                    |         |
| Operating Frequency Range                   |    | 50Hz   |          |                    |         |
| Phases                                      |    | 3ph  |          |                    |         |
| Load Connections                            |    | M16 Copper Busbars   |          |                    |         |
| Protection                                  |    | Thermal Emergency Cut Out<br>Air-Flow Switch<br>Fan Overload<br>Emergency Stop |          |                    |         |
| Control Voltage                             |    | Selectable - Test or Auxiliary   |          |                    |         |
| Cooling Method                              |    | Forced Air Cooling (Vertical)  |          |                    |         |
| Air-Flow (Approx.)                          |    | 720m <sup>3</sup> /min   |          |                    |         |
| Load Switching Category                     |    | AC-1 Resistive   |          |                    |         |
| Load Switching Contactor Type               |    | 3 Pole AC Contactors   |          |                    |         |
| Rated Maximum Ambient Temperature Operation |    | +40°C / +104°F   |          |                    |         |
| Rated Minimum Ambient Temperature Operation |    | -20°C / -4°F   |          |                    |         |
| Rated Maximum Relative Humidity             |    | 95% RH   |          |                    |         |
| Altitude Rating                             |    | <500m [m.a.s.l.]   |          |                    |         |
| Enclosure                                   |    | Sheet Steel  |          |                    |         |
| Finish                                      |    | White - RAL9016  |          |                    |         |
| Control Chamber IP Rating                   |    | IP55   |          |                    |         |
| Lifting                                     |    | Lifting Eyes x4  |          |                    |         |
| Enclosure Dimensions                        |    | Castors  | Channels | FLB                | Fixed * |
| Length (Approx.)                            | mm | 2060   | 2060     | 2060               | 2535    |
| Width (Approx.)                             | mm | 1025/1150  | 1025     | 1025               | 1025    |
| Height (Approx.)                            | mm | 2202   | 2152     | 2152               | 2152    |
| Total Weight (Approx.)                      | kg | 950  | 950      | 1150               | 1050    |
| Loadbank Control Systems                    |    |  |          |                    |         |
| Control                                     |    | <b>KCS</b>   |          | <b>MCS</b>         |         |
| Optional Extras:                            |    | KCS100H - 10m Lead   |          | PC Software or HHT |         |
|   |    | VIP - Power Meter  |          | Modbus             |         |
|   |    | KCS100L (Local)  |          |                    |         |
|   |    | KCS100R (Remote)   |          |                    |         |
|   |    | Extendable System  |          | Extend - Standard  |         |
| Load Connection Type                        |    | 1-Phase and/or Delta   |          |                    |         |
| Frequency / Connections                     |    | 60Hz and 3-Wire Connection   |          |                    |         |
| Control Extension Cables                    |    | 50m or 100m Extension  |          |                    |         |
| Transportation                              |    | 4-Wheel Trailer Mounted  |          |                    |         |
| Load Connections                            |    | Powerlocks   |          |                    |         |
| Protection Cover                            |    | Loadbank PVC Cover   |          |                    |         |

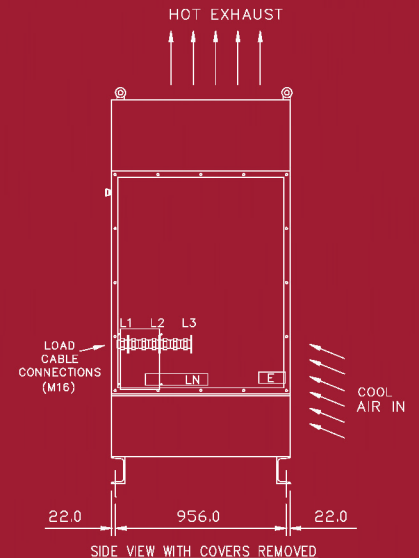
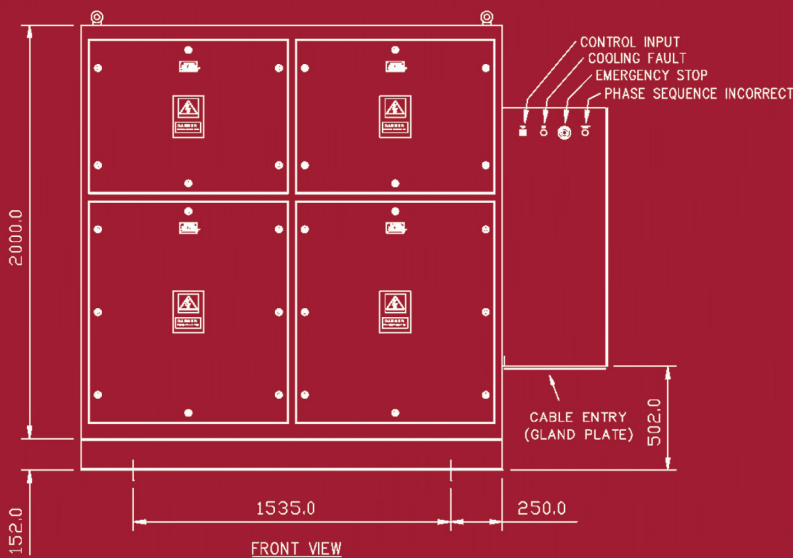
\* Permanent installation only

900kW - Issue 1 - 01/07/15 (Changes to specification may vary without notice)



## Quality without compromise

Our loadbanks are characterised by one thing above all: quality. At every stage of our supply chain, from raw material to finished item, we work with established, worldclass suppliers and implement our own uncompromising quality control processes to ensure that our products perform better and last longer.



**1300 MAC GEN (1300 622 436)**

**[www.macfarlanegenerators.com.au](http://www.macfarlanegenerators.com.au)**

### MELBOURNE

136 Fairbank Road,  
Clayton South, VIC 3169  
Ph: 03 9544 4222

### SYDNEY

1 St James Place,  
Seven Hills, NSW 2147  
Ph: 02 9899 6699

### BRISBANE

31 South Pine Road,  
Brendale, QLD 4500  
Ph: 07 3205 6333

Mon - Fri 7.30am - 5pm Sat 7.30am - 12pm

Mon - Fri 7.30am - 5pm

Mon - Fri 7.30am - 5pm