

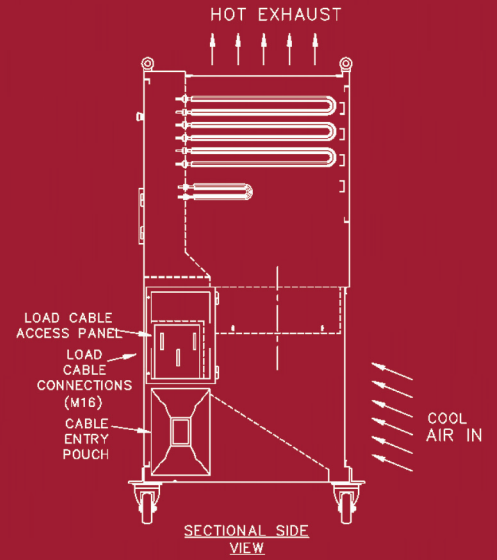
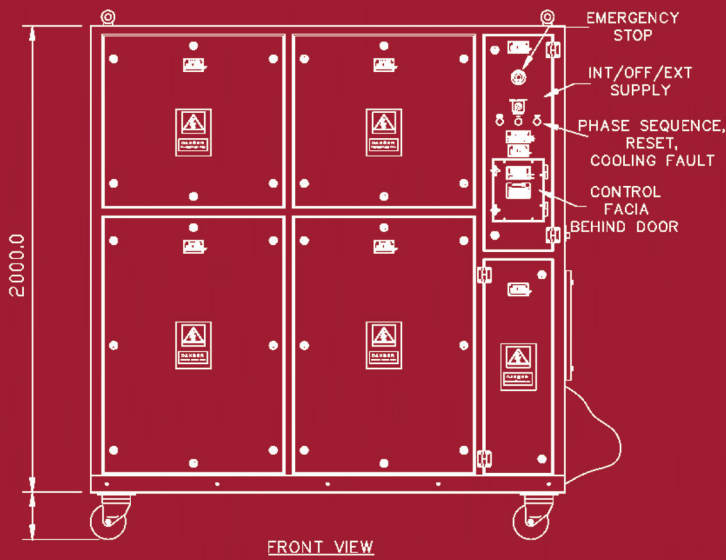
# Crestchic 1000kW Loadbank



Description		Transportable	Fixed		
Model		Transportable	Fixed		
Country of Origin		United Kingdom			
Max Capacity - Packaged Loadbank		1000kW			
Voltage Max - Continuous Operation		380V - 415V			
Operating Frequency Range		50Hz			
Phases		3ph			
Wires (Star Connection)		4			
Load-Step Resolution @ Design Voltage		1kW			
Voltage Tolerance (Short Term Operation)		+5%			
Load Element Tolerance		+/-5%			
Elements		80/20 nickel chrome resistance wire			
Insulation Test		500V			
Auxiliary Supply Voltage		380V - 415V			
Operating Frequency Range		50Hz			
Phases		3ph			
Load Connections		M16 Copper Busbars			
Protection		Thermal Emergency Cut Out Air-Flow Switch Fan Overload Emergency Stop			
Control Voltage		Selectable - Test or Auxiliary			
Cooling Method		Forced Air Cooling (Vertical)			
Air-Flow (Approx.)		720m <sup>3</sup> /min			
Load Switching Category		AC-1 Resistive			
Load Switching Contactor Type		3 Pole AC Contactors			
Rated Maximum Ambient Temperature Operation		+40°C / +104°F			
Rated Minimum Ambient Temperature Operation		-20°C / -4°F			
Rated Maximum Relative Humidity		95% RH			
Altitude Rating		<500m [m.a.s.l.]			
Enclosure		Sheet Steel			
Finish		White - RAL9016			
Control Chamber IP Rating		IP55			
Lifting		Lifting Eyes x4			
Enclosure Dimensions <small>(also available housed in an ISO style container)</small>		Castors	Channels	FLB	Fixed *
Length (Approx.)	mm	2060	2060	2060	2535
Width (Approx.)	mm	1025/1150	1025	1025	1025
Height (Approx.)	mm	2202	2152	2152	2152
Total Weight (Approx.)	kg	1000	1000	1200	1100
Loadbank Control Systems					
Control		<b>KCS</b>		<b>MCS</b>	
Optional Extras:		KCS100H - 10m Lead		PC Software or HHT	
		VIP - Power Meter		Modbus	
		KCS100L (Local)			
		KCS100R (Remote)			
		Extendable System		Extend - Standard	
Load Connection Type		1-Phase and/or Delta			
Frequency / Connections		60Hz and 3-Wire Connection			
Control Extension Cables		50m or 100m Extension			
Transportation		4-Wheel Trailer Mounted			
Load Connections		Powerlocks			
Protection Cover		Loadbank PVC Cover			

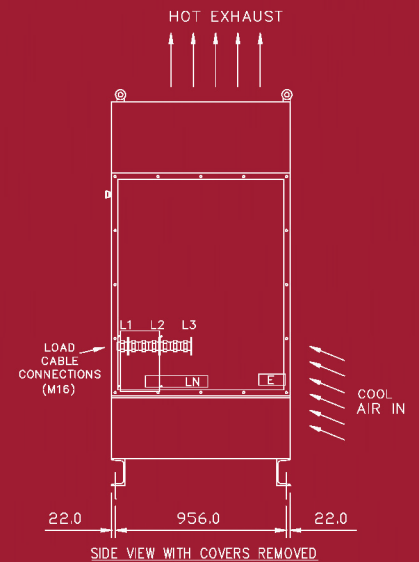
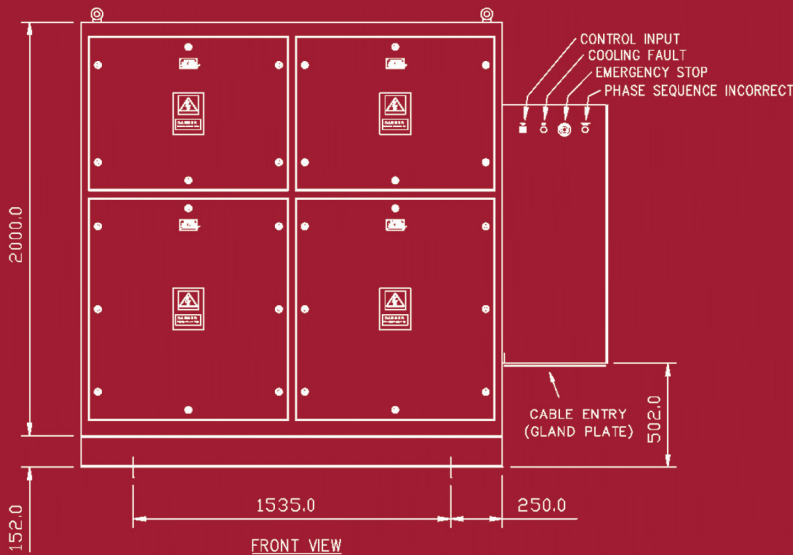
\* Permanent installation only

1000kW AC - Issue 1 - 03/02/15 (Changes to specification may vary without notice)



## Quality without compromise

Our loadbanks are characterised by one thing above all: quality. At every stage of our supply chain, from raw material to finished item, we work with established, worldclass suppliers and implement our own uncompromising quality control processes to ensure that our products perform better and last longer.



**1300 MAC GEN (1300 622 436)**

**[www.macfarlanegenerators.com.au](http://www.macfarlanegenerators.com.au)**

### MELBOURNE

136 Fairbank Road,  
Clayton South, VIC 3169  
Ph: 03 9544 4222

### SYDNEY

1 St James Place,  
Seven Hills, NSW 2147  
Ph: 02 9899 6699

### BRISBANE

31 South Pine Road,  
Brendale, QLD 4500  
Ph: 07 3205 6333

Mon - Fri 7.30am - 5pm Sat 7.30am - 12pm

Mon - Fri 7.30am - 5pm

Mon - Fri 7.30am - 5pm